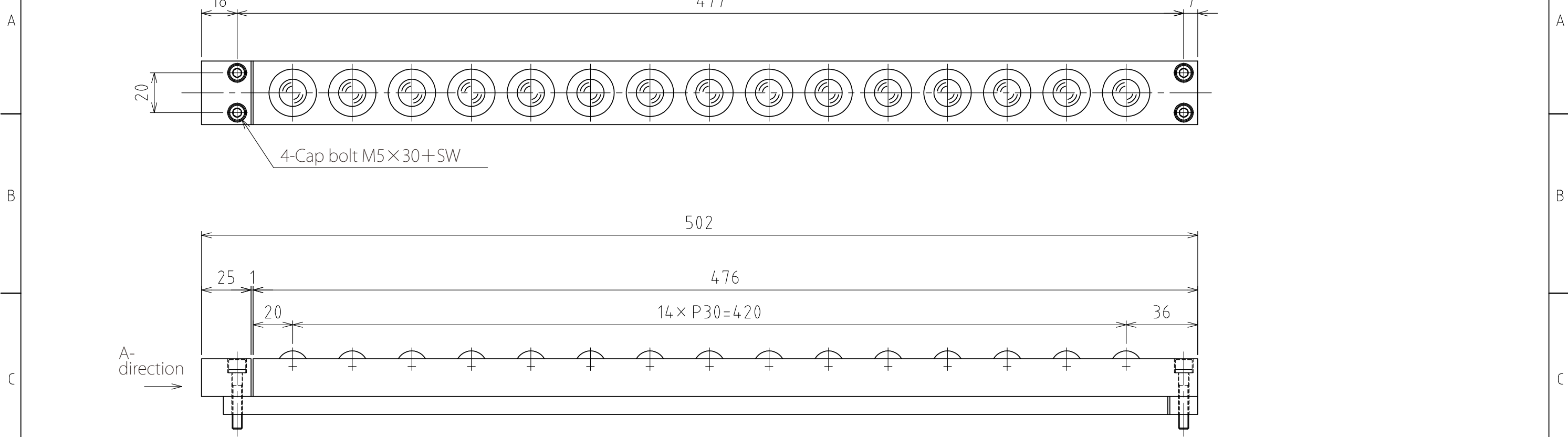
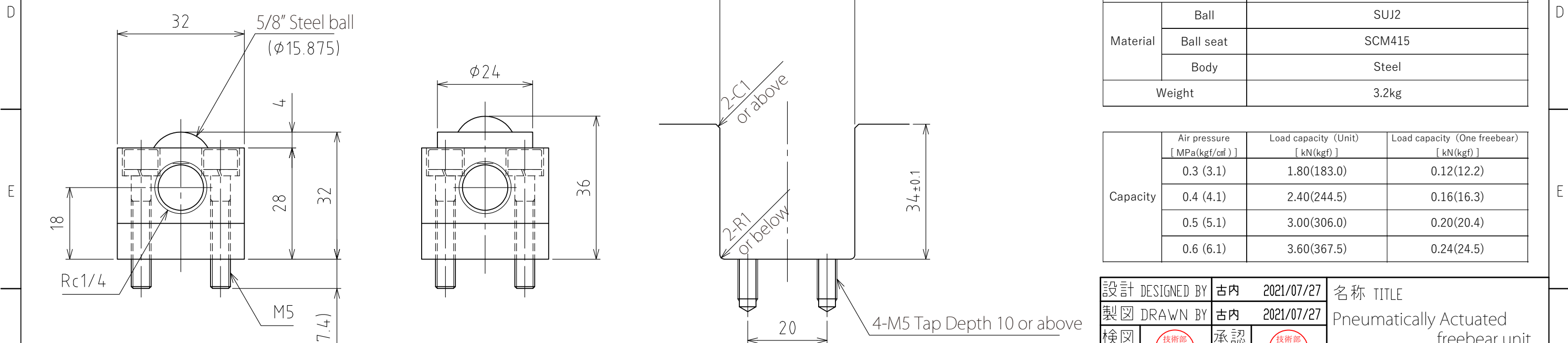


1 2 3 4 5 6 7 8



4-Cap bolt M5×30+SW

A-direction
→



32 5/8" Steel ball (φ15.875)

4 32 18 Rc1/4 M5 (7.4)

φ24 36

34^{+0.5}/₀ 2-C1 or above 2-R1 or below 34±0.1 20 4-M5 Tap Depth 10 or above

View A

Rising (stroke 4mm)

Recommended groove dimensions

(Scale 1:1)

spec

Series	AFU-3232series	
Freebear	15pcs	
Material	Ball	SUJ2
	Ball seat	SCM415
	Body	Steel
Weight	3.2kg	

Capacity	Air pressure [MPa(kgf/cm ²)]	Load capacity (Unit) [kN(kgf)]	Load capacity (One freebear) [kN(kgf)]
	0.3 (3.1)	1.80(183.0)	0.12(12.2)
	0.4 (4.1)	2.40(244.5)	0.16(16.3)
	0.5 (5.1)	3.00(306.0)	0.20(20.4)
	0.6 (6.1)	3.60(367.5)	0.24(24.5)

設計 DESIGNED BY	古内	2021/07/27	名称 TITLE	Pneumatically Actuated freebear unit
製図 DRAWN BY	古内	2021/07/27		
検図 CHECKED BY	技術部 坂根	承認 APPROVED BY	技術部 花村	AFU-3232-4P-15
尺度 SCALE	1:2	サイズ SIZE	A3	
第三角法			☉	図面番号 DRAWING NO.
FREEBEAR			☉	SD-01276-F01
				変更回数 REV.MARK

1 2 3 4 5 6 7 8