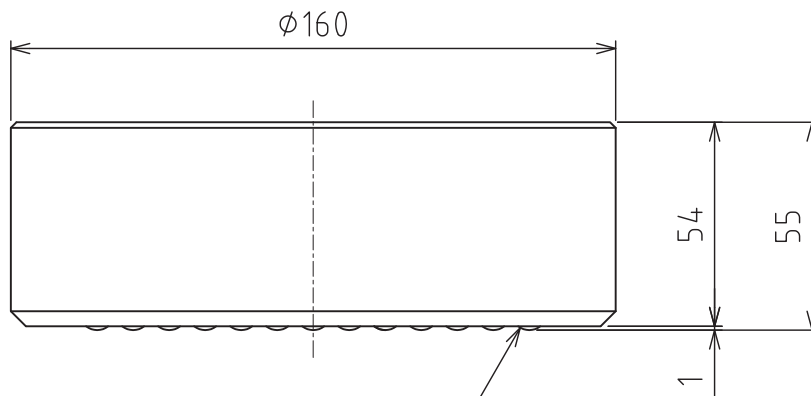
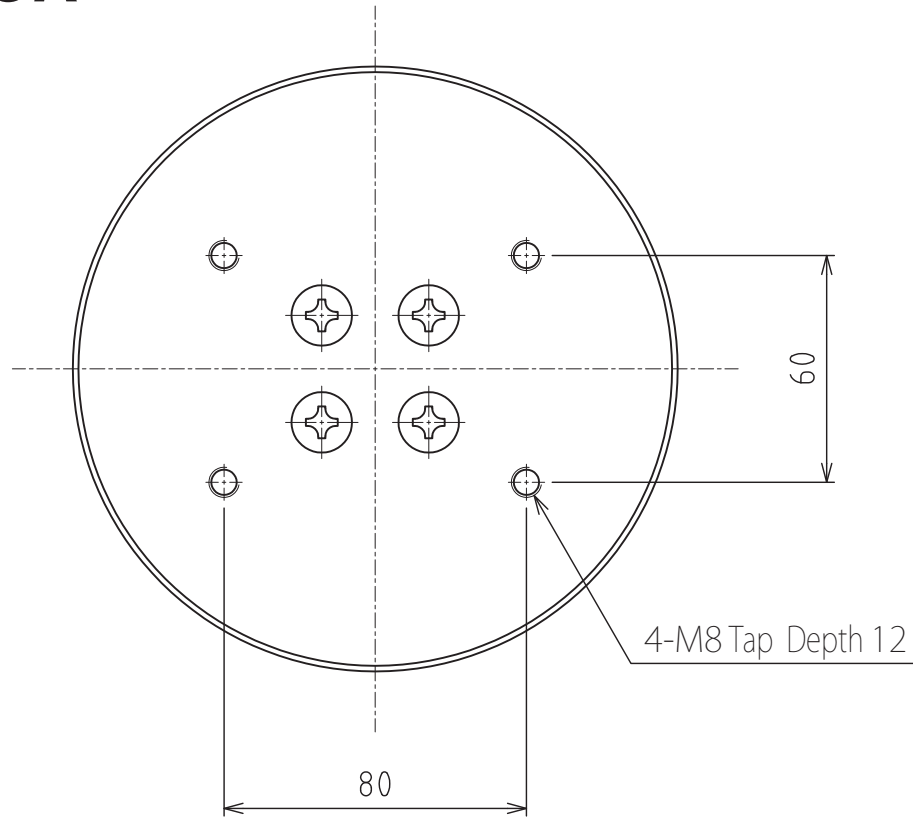


AWS-8-CR



3/8" Stainless steel ball
(D=9.525)(SUS440C)

Clean packaging

Allowable load : 78400N(8000kgf)
Weight : 7000g