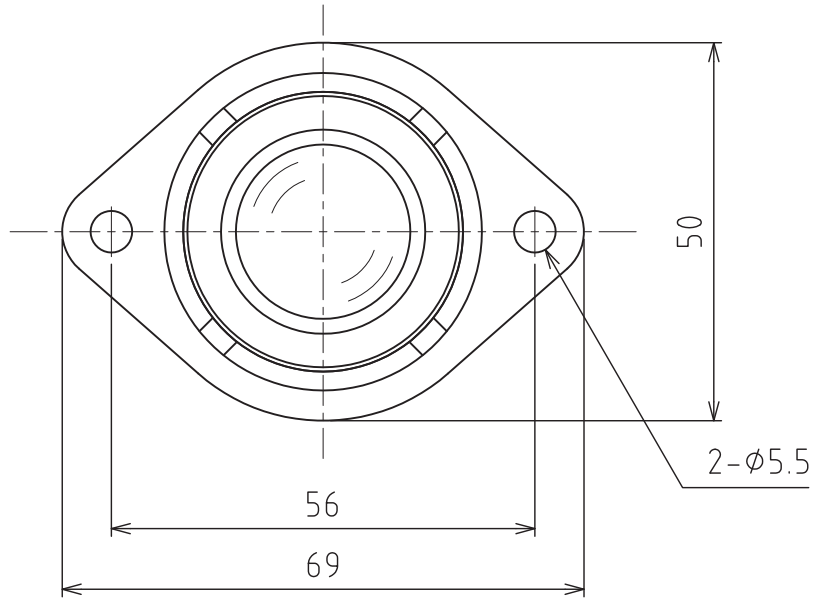
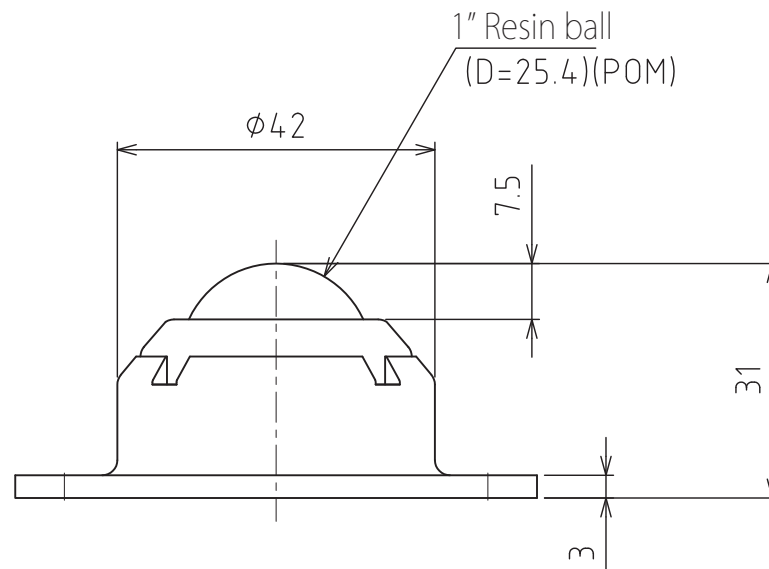


J-8Y-POM-CR



Clean packaging



Recommended load : 98N(10kgf)
Weight : 39g