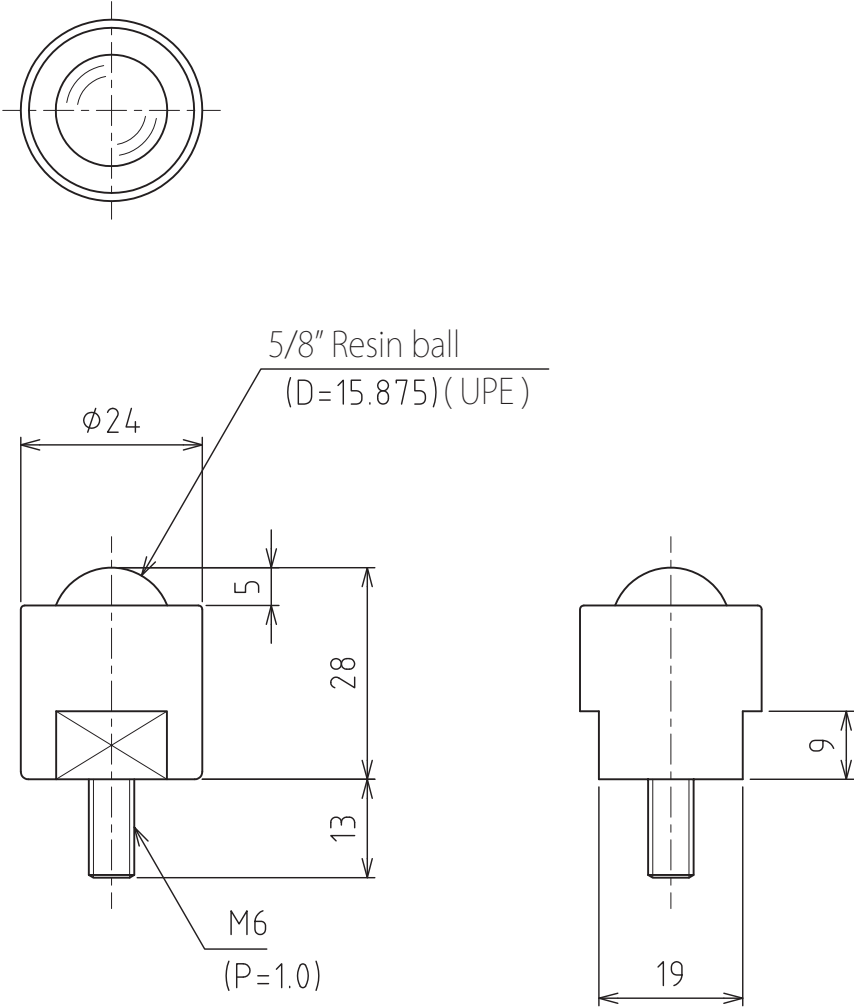


S-5HK-UPE-CR



Clean packaging

Recommended load : 19.6N(2kgf)
Weight : 65g

