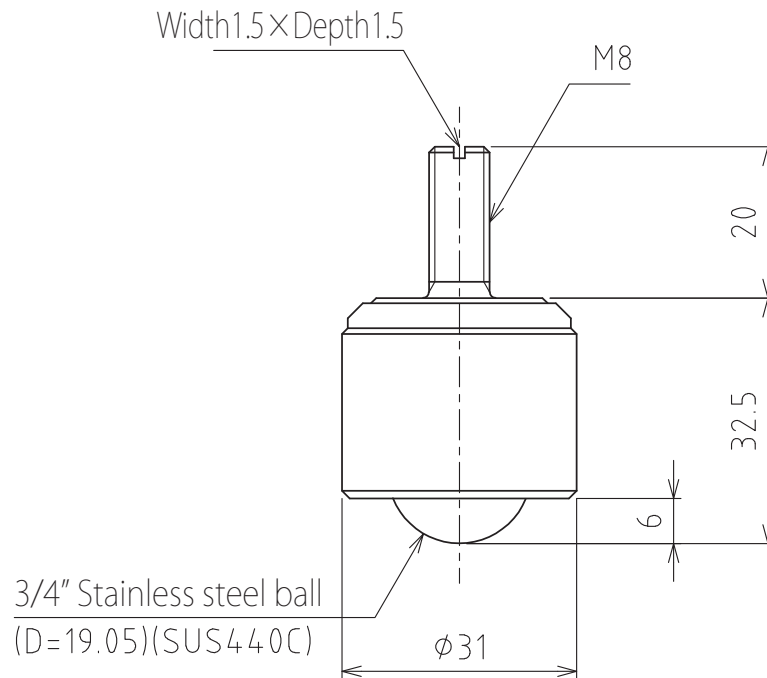
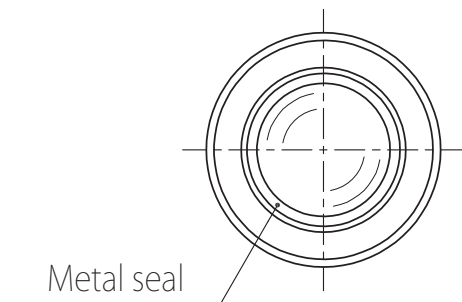


# S-6D



3/4" Stainless steel ball  
(D=19.05)(SUS440C)



Allowable load : 490N(50kgf)  
Max. load : 980N(100kgf)  
Weight : 144g