

Freebear Table/Roller Table -Air Lifting Type
AFT Series、 ART Series
Instruction Manual

Thank you for purchasing our product.

Before use, please carefully read the following instructions to ensure proper usage.

We appreciate your cooperation.

1. Summary

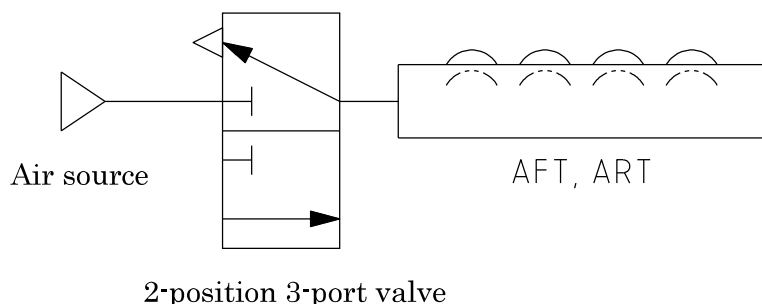
This product is a device that assists in the transportation of items through built-in ball bearings or rollers (from now on referred to as Freebears), and its operation is controlled by air pressure.

2. Safety Precautions

- Operating air pressure : Use within the range of 0.3MPa to 0.6Mpa.
- Usage environment : For general indoor use.
(0°C to 60°C, avoid freezing and condensation)
※Heat-resistant specifications can be customized upon request.
- Ensure that water or foreign objects do not enter the compressed air system.
- When not in use, release the internal compressed air.
- Avoid severe impact to the product.
- Do not disassemble or modify the product.
- When transporting or moving items, be careful not to catch fingers or other objects in the gaps between Freebears.
- The weight of transported items should not exceed the allowable load capacity.

3. Piping Connection

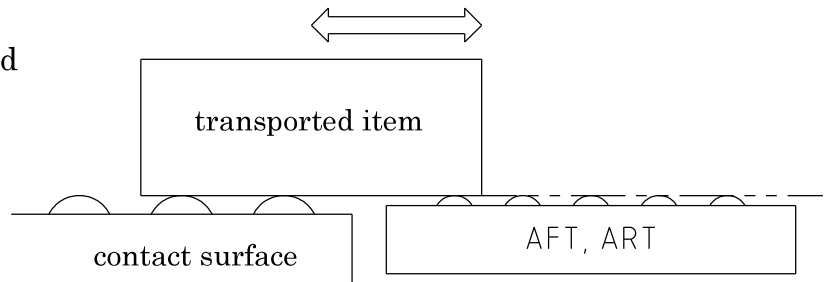
The pneumatic circuit diagram of this product is shown below:



This product is equipped with a spring-return piston.
After releasing the compressed air,
Freebears will descend.

4. Precautions for Use

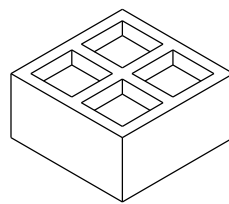
- ① When placing and moving transported items on this product, ensure that when Freebears rise to the highest point, the top surface remains level with the contact surface of the item.



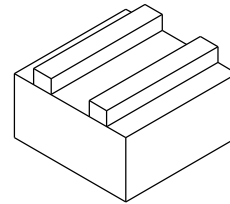
- ② When the transported item cannot be supported by all Freebears, the load capacity and the transportation ability of this product may decrease.

For example,

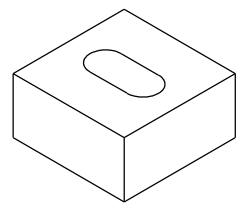
- a) lightening holes on the bottom
- b) protrusions on the bottom
- c) holes on the bottom, etc.



a



b



c

- ③ Please set up this product on a flat surface without unevenness.

5. Maintenance and Inspection

When the Freebear is dirty, clean it with a cloth using low-viscosity lubricating.

6. Inquiry

Should this product operate abnormally or should you have any questions, please contact us or the store/ agent where you purchased it.

※The specification and appearance of this product are subject to change without notice due to the need for improvement.

株式会社フリーベアコーポレーション

Freebear Corporation

発行：2024.08.01_ver.1.0