

Freebear /Roller Table ·Handle lifting type·
HFT series、 LHFT series、 HRT series
Instruction Manual

Thank you for purchasing our product.
Before use, please carefully read the following instructions to ensure proper use.
We appreciate your cooperation.

1. Summary

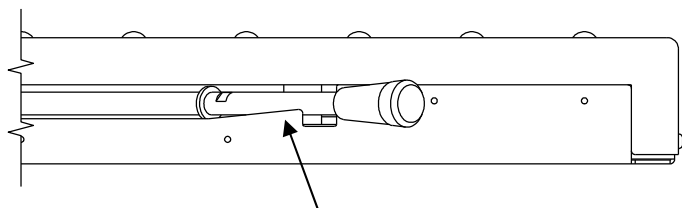
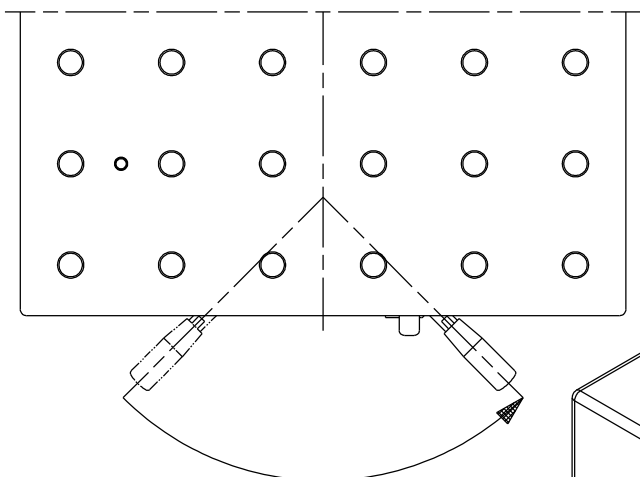
This product is a device that assists in the transportation of items through built-in ball bearings or rollers (from now on referred to as Freebears), and its operation is controlled by controlling the handle.

2. Safety Precautions

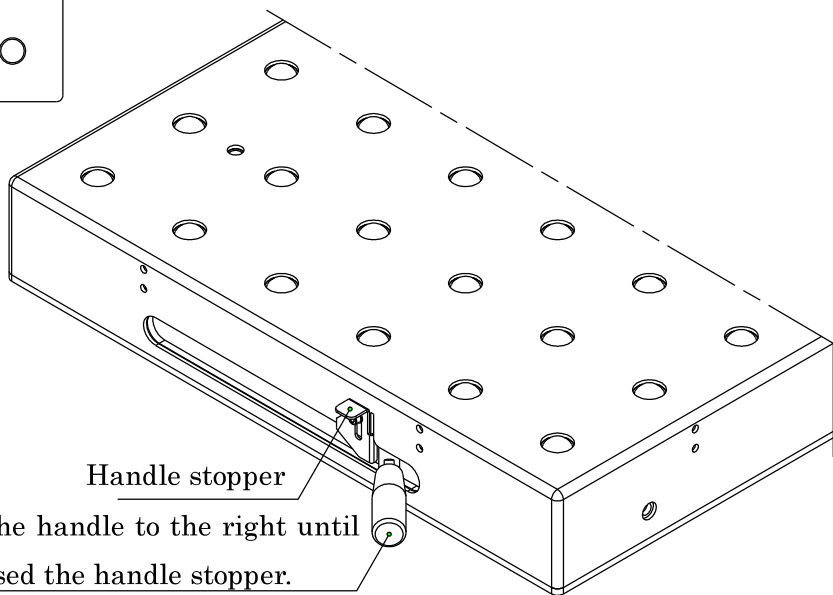
- Usage environment: For general indoor use.
(0°C to 60°C, avoid freezing and condensation)
 - ※Heat-resistant specifications can be customized upon request.
- When not in use, Freebears should be lowered and retracted.
- Avoid severe impact to the product.
- Do not disassemble or modify the product.
- When transporting or moving items, be careful not to catch fingers or other objects in the gaps between Freebears.
- The weight of transported items should not exceed the allowable load capacity.

3. Operation Method

Raised Freebears → Pull the handle to the right.

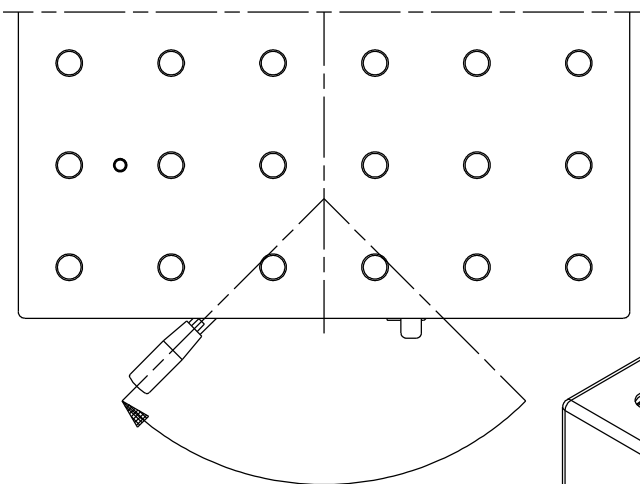


※Since LHFT does not have a handle stopper,
Please secure the handle in the groove.

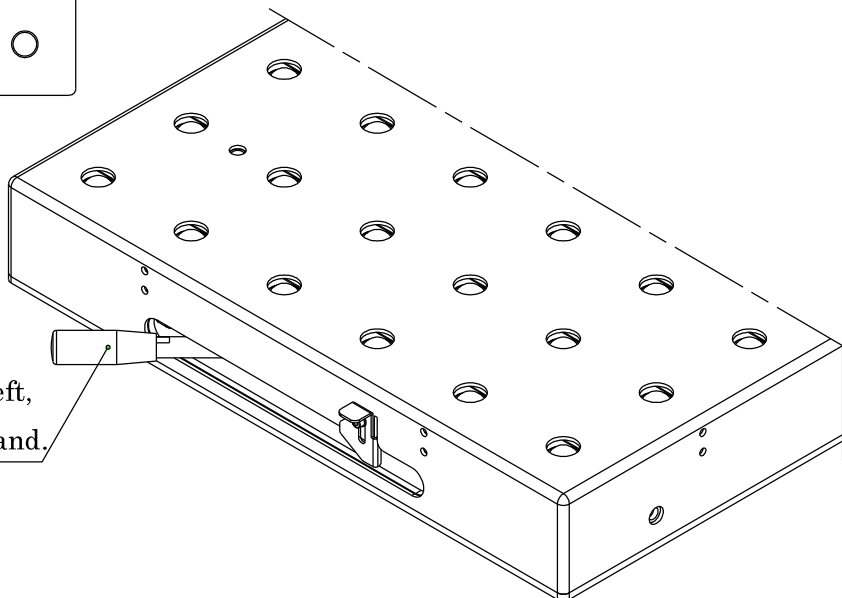


Lowered Freebears →
Pull the handle to the left.

※Pull the handle to the right until
it passed the handle stopper.



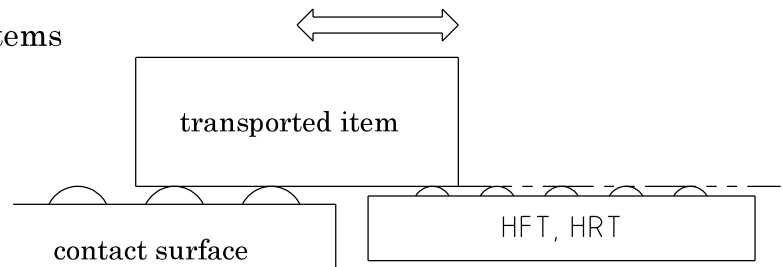
※When pulling the handle to the left,
please ensure not to release your hand.



When lowering the Freebear, please lift the handle stopper and pull the handle to the left.
During this process, do not release the handle and slowly pull it to the left.
If you pull it forcefully or release your hand midway,
there is a risk of your hand getting caught due to the momentum of the handle.

4. Precautions for Use

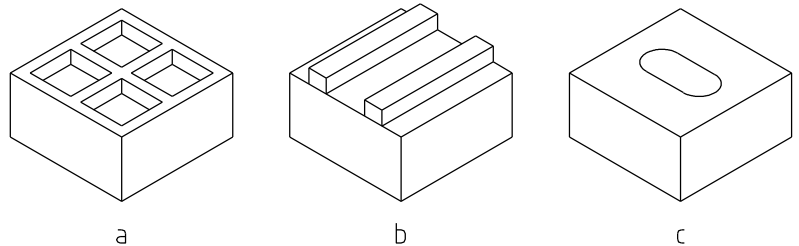
- ① When placing and moving transported items on this product, ensure that when Freebears rise to the highest point, the top surface remains level with the contact surface of the item.



- ② When the transported item cannot be supported by all Freebears, the load capacity and the transportation ability of this product may decrease.

For example,

- a) lightening holes on the bottom
- b) protrusions on the bottom
- c) holes on the bottom, etc.



- ③ Please set up this product on a flat surface without unevenness.

5. Maintenance and Inspection

When the Freebear is dirty, clean it with a cloth using low-viscosity lubricating.

6. Inquiry

Should this product operate abnormally or should you have any questions, please contact us or the store/ agent where you purchased it.

※The specification and appearance of this product are subject to change without notice due to the need for improvement.

株式会社フリーベアコーポレーション

Freebear Corporation

発行：2024.08.01_ver.1.0